

ESCORT 2

VERTICAL 2 SLOT EXPANSION BOX PLUS BUS RETURN

Congratulations on your purchase of the Escort 2 expansion chassis by Expansion Technologies. The Escort 2 expansion chassis was designed to meet the needs of the customer who requires more functions but does not want to purchase a full expansion chassis. The Escort 2 provides 2mb of memory and with the existence of the bus return, expansion slot and variable power modes the user has several options available. Like the ability to expand to 4 mb, add an internal hard disk controller card or an external hard drive on the bus return or well you get the idea. The Escort 2 expansion chassis was precision engineered to provide you years of reliable service.

General Description

The Escort 2 expansion chassis is a two slot chassis that comes with a 2 mb card in slot one. The existence of the 2mb board in slot one provides the clock signal for slot two to be "zorro" standard. This signal is generated on the 2mb board and not on the connector board mounted to the base of the chassis. Slot two can then accept any "zorro" board manufactured by any company that has followed the standards. Conversely the 2mb board will fit into any "zorro" chassis if this clock signal is disabled per instructions contained in the ESCORT 2 manual." All 2mb boards sold under the name of Escort 2 or Xpander II are identical and will both function perfectly in the Escort 2 expansion chassis.

Installation of board

2mb board plugs into SLOT ONE of the chassis with the component side away from the bus connector. Install board in card guide after insertion by pressing upright front panel onto edge of board until it fits in the card guide. The fit is and should be snug. Both the power and reset jumpers (See Diagram A) should be connected on the board. This allows the power "on" LED to glow when the Amiga is powered up and anything connected to the bus to receive the reset signal.

Installation of Upgrade board

The 2mb upgrade board should be installed in SLOT TWO ONLY. The board should be oriented the same way as the board in slot one. An upgrade board is special due to three traces that are cut as explained in the Escort 2 manual. If the upgrade board is to be used as the only board in an Escort 2 these traces are to be reconnected. A plastic standoff is provided for the rear area for stability. It is to be placed between the boards at the top in one of the sets of adjacent holes. It will snap in place. Card guides cannot be placed in this area due to the mounting panel.

Installation of Cover

The cover must be widened during installation to clear the bus connector. The cover is spring steel with sufficient flexibility to clear the connector and return to its normal dimension. When the connector has been cleared be sure the two slots at the top of the cover are inserted onto the tabs provided on the upright front and rear panels of the base. Install four selftapping screws. The unit is now ready for mounting on the Amiga.

Installation of Chassis

The Escort 2 installs simply by "plugging" the unit onto the 86 pin bus located on the right side of the Amiga. The plastic protection plate must be removed and stored. See photograph on front of box for final physical orientation.

External Power Options

The Escort 2 has taken into account the increasing desire to install more peripherals on the Amiga. This requires taking into consideration the power requirements of the additional products. The Commodore specifications allocate 1 amp at 5v to be used off the expansion bus. The 2mb memory board uses all of this amount.

In light of this the Escort 2 was designed to provide additional and separate power to slot two and the bus.

This is done by removing the power jumper (located between slot one and two) and installing a separate power supply attached to the power jack that is mounted on the rear of the connector board. Power specifications for the external power jack are 1 amp (or greater) at 9v unregulated. The power jumper must be removed to separate slot two and the bus from the Amigas power supply. Two power supplies cannot be connected to the same line.

In this configuration the LED will be on until your external power supply has been turned off even though you have shut down your Amiga. Power supplies are provided with most upgrade products from Expansion Technologies.

NOTICE**NOTICE**NOTICE**NOTICE**NOTICE

POWER JUMPER MUST BE REMOVED BEFORE
APPLYING ANY EXTERNAL POWER TO THE
ESCORT 2 OR DAMAGE WILL OCCUR TO YOUR
AMIGA.

The Escort 2 is shipped standard with the power jumper connected. In this configuration the power from the Amiga is fed directly to slot one and two as well as the bus return and the LED is on whenever the Amiga is powered up.

Definitions

Expansion Bus

86 pin card edge located behind a protective plastic panel on the right side of the Amiga.

Bus Connector

Mounted on the connector board inside the Escort 2 it is the 86 pin edge card (female) connector that fits onto the Amigas expansion bus.

Bus Return.

Located inside the Escort 2 it is the 86 pin card edge that replaces the Amigas expansion bus used by the bus connector.

Slot one.

100 pin slot closest to the Amiga

Slot two.
100 pin slot farthest from the Amiga.

Connector Board
The P.C. board that is mounted onto the base of the chassis.

Power Jumper
Located inside the Escort 2 between slot one and two toward the front of the connector board.

Reset Jumper
Located inside the Escort 2 at the front of the connector board. Is shipped shorting the reset line through slot two to the bus return.

Power Input Jack
Located inside the Escort 2 at the rear of the connector board. Used as input for external power for slot two and the bus return.

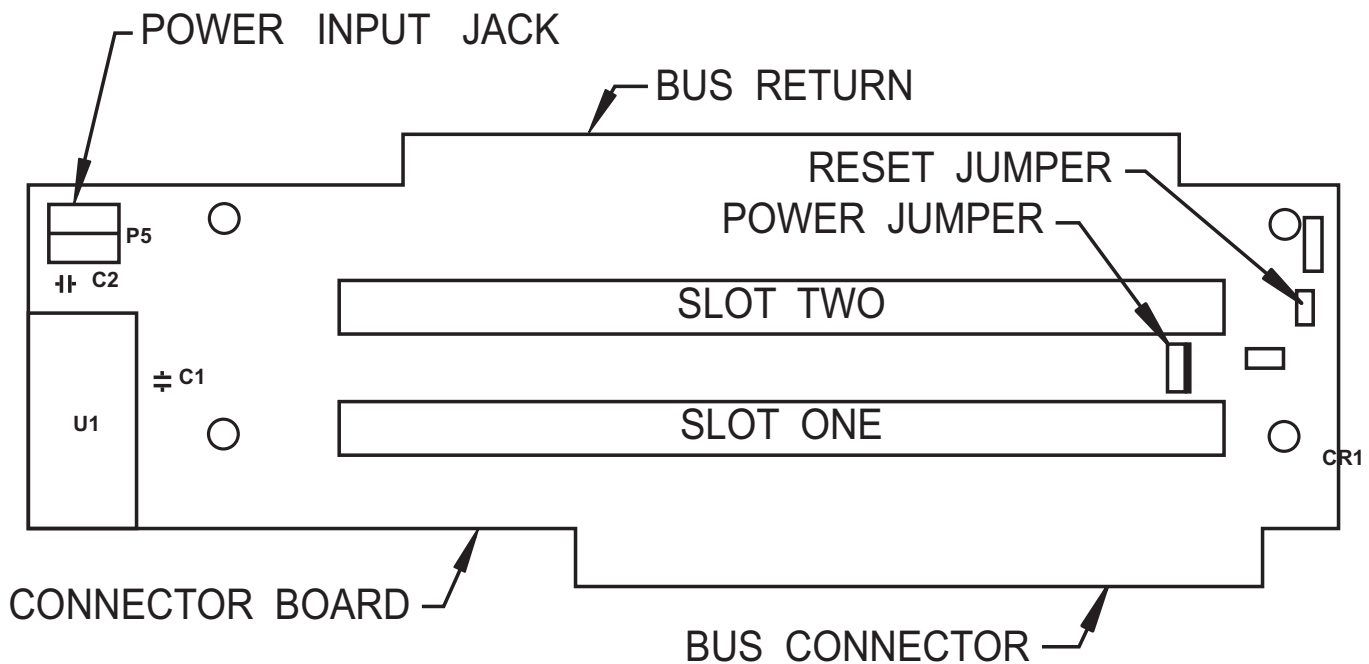


DIAGRAM A

**EXPANSION
TECHNOLOGIES**

**OUR NEW NUMBER
415-656-2890**

46127 Landing Parkway, Fremont, CA 94538

Amiga Hardware World

Everything about Amiga hardware...

~

<http://amiga.resource.cx>